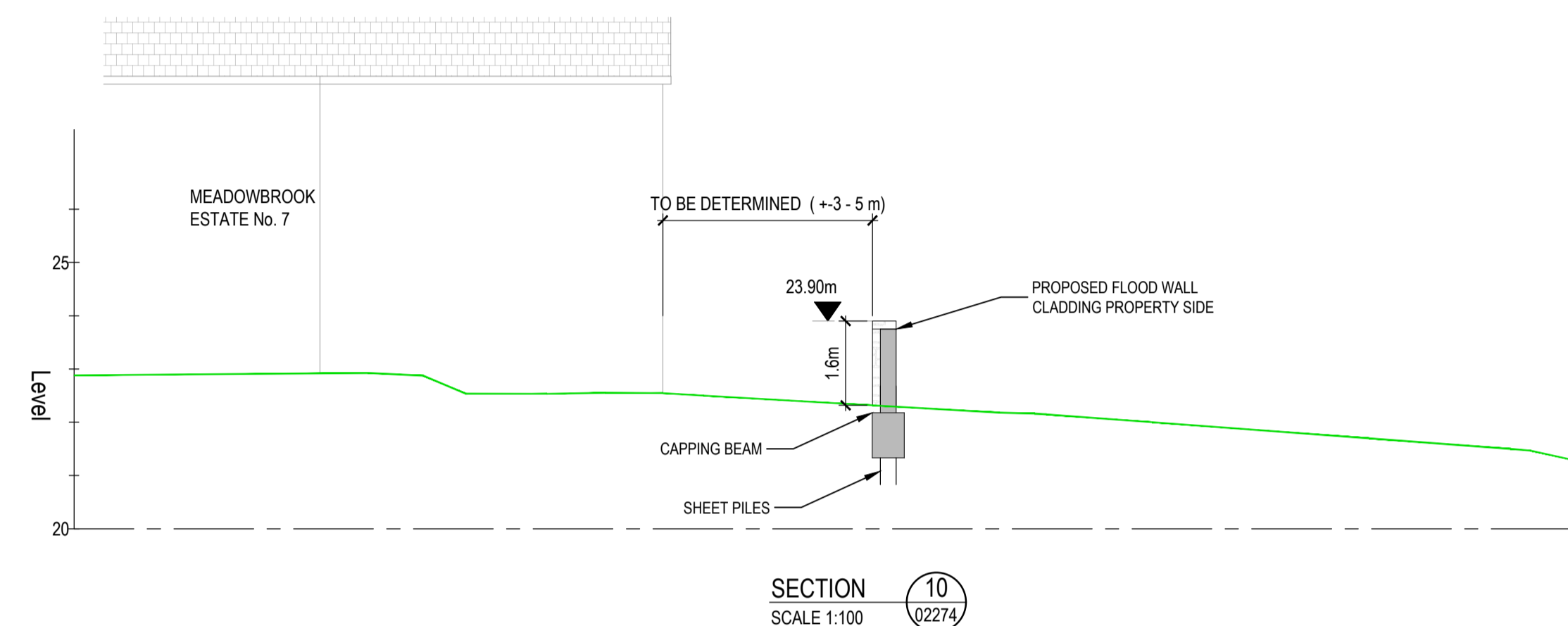
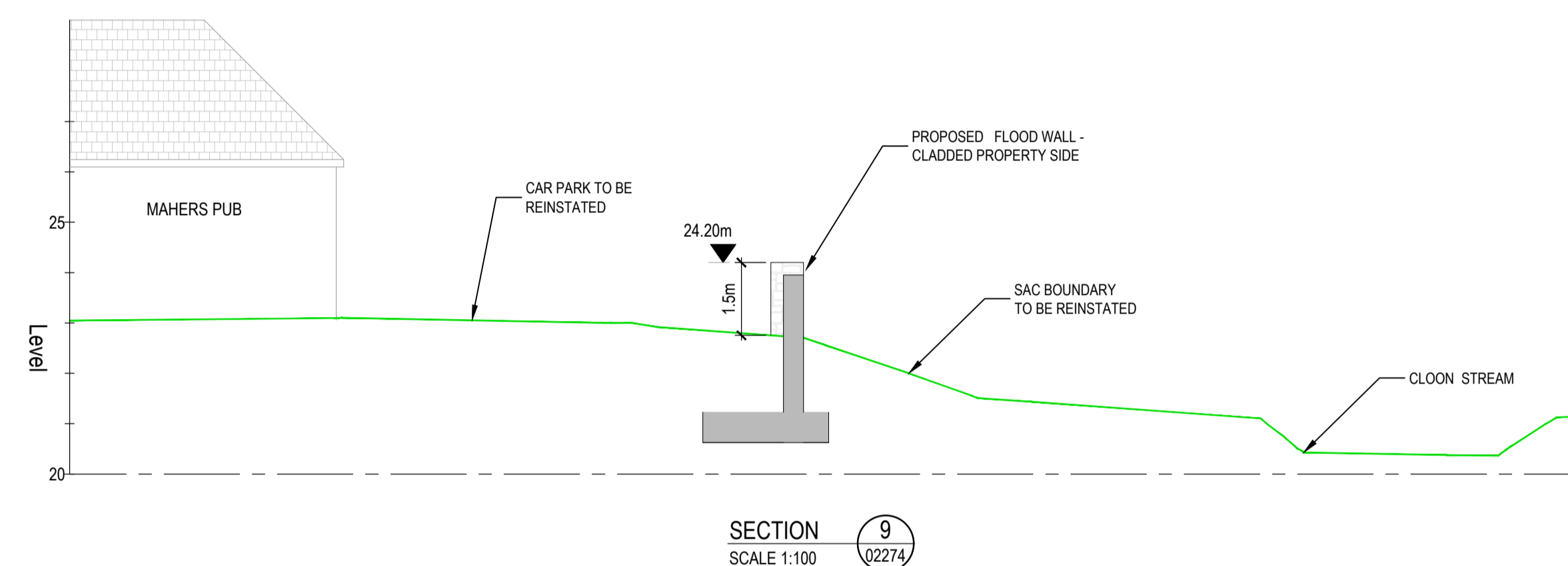
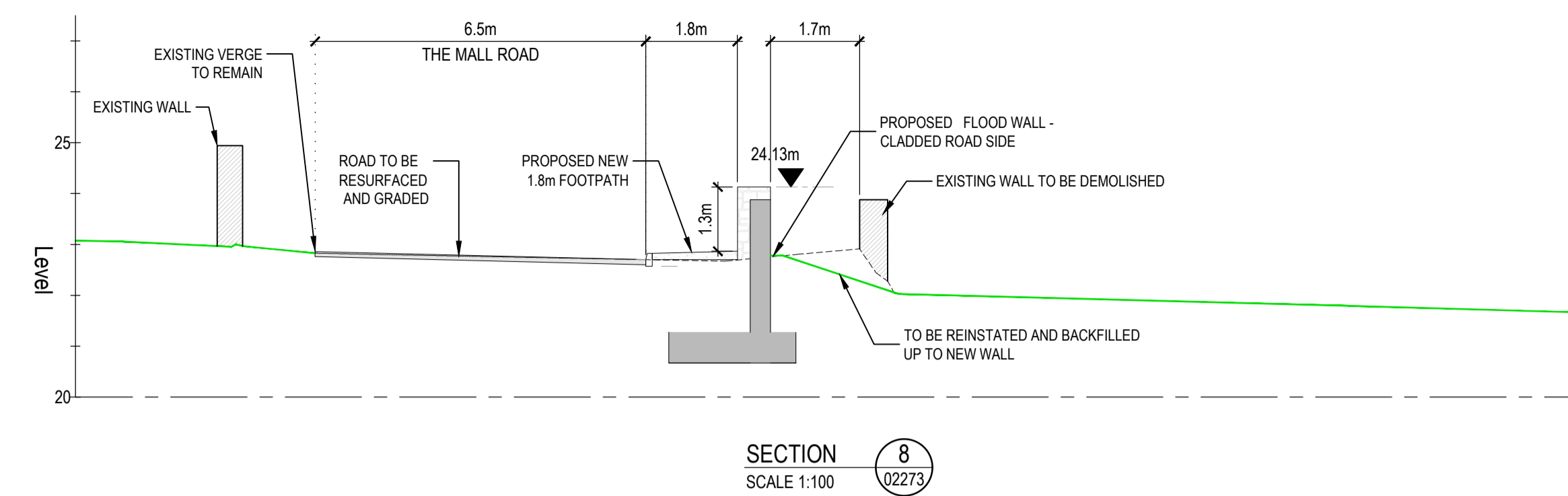
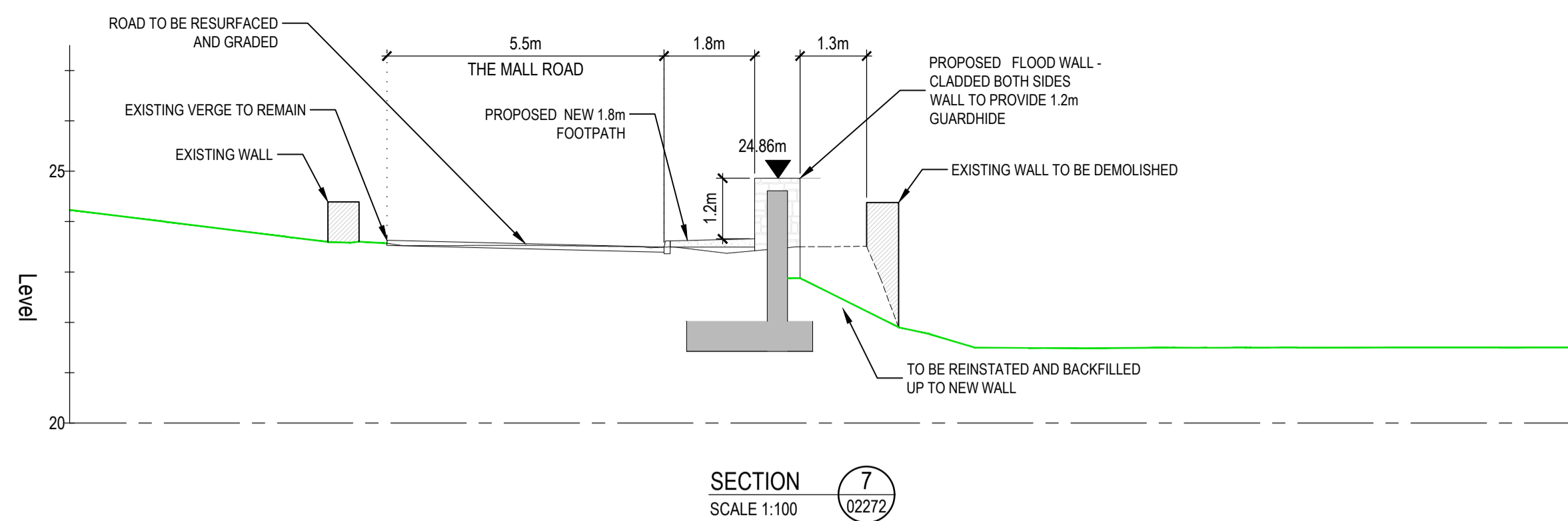


© Copyright  
This drawing and any design hereon is the copyright of the  
Consultants and must not be reproduced without their written  
consent.

All drawings remain the property of the Consultants.

GENERAL NOTES:

- GROUND LEVELS INDICATED ARE INDICATIVE AS OBTAINED FROM TOPOGRAPHICAL SURVEY.
- GROUND LEVELS TO BE REINSTATED TO EXISTING LEVELS WHERE FEASIBLE
- PRELIMINARY LEVELS INDICATED ON DRAWINGS, FINAL TOP-OF-WALL LEVELS TO BE CONFIRMED AT DETAILED DESIGN STAGE
- PRELIMINARY DETAILS INDICATED ON DRAWINGS, FINAL FLOOD DEFENCE AND CONSTRUCTION DETAILS TO BE CONFIRMED AT DETAILED DESIGN STAGE



Rev	Suit	Description	Drawn	Ch'kd	Date
P01	S2	PUBLIC CONSULTATION	DG	WS	30/08/2023

Client

Clients Representative:

**J. B. Barry and Partners Limited Consulting Engineers**  
Classon House, Dundrum Business Park, Dundrum Road, Dublin 14  
www.jbbarry.ie

**JBA Consulting** Engineers and Scientists Limited  
24 Grove Island, Corbally, Limerick  
www.jbaconsulting.ie

Project  
**CASTLECONNELL  
FLOOD RELIEF SCHEME**

Drawing Title  
**SECTIONS  
SHEET 2**

Drawn by :	DG	Date :	30/08/2023
Checked by :	WS	Date :	30/08/2023
Approved by :	RK	Date :	30/08/2023
Internal Project REF :	JBB: 19104	JBA: 2019s0927	
Scales :	1:100 @ A1, 1:200 @ A1		
Stage :	PUBLIC CONSULTATION		
Drawing No.:	Revision	Suitability Code	
19104-JBB-XX-XX-DR-C-02281	P01	S2	